



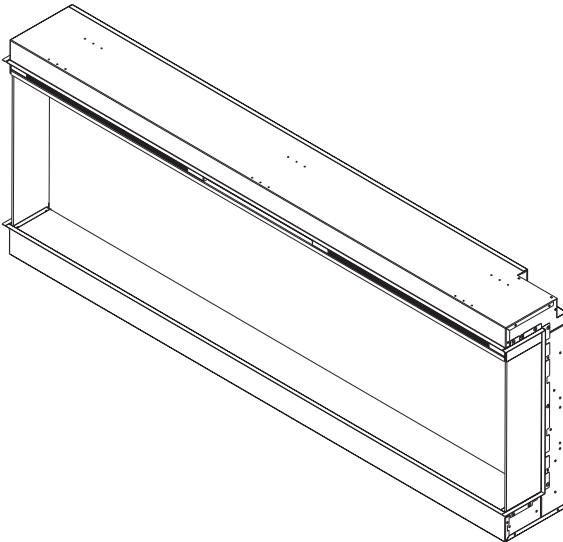
**Scandia**

# **SIRUS**

# **ELECTRIC FIREPLACE**

## **OPERATION AND INSTALLATION**

## **MANUAL**



### **SCANDIA SIRUS**

54" Electric Fire SG010100035

---



Sir Version 1.2.3 22/01/2024

Contents of this manual may be updated without notice.

[www.scandiastoves.com.au](http://www.scandiastoves.com.au)

# CONTENTS

Important Instructions	3
Specifications	4
Locating Your Electric Fireplace	5
Installation	8
Operating Instructions	10
Care and Maintenance	13
Warranty	14



## WARNING

This appliance must be installed in accordance with:

- Manufacturer's Installation Instructions
- Current AS/NZS 3000
- Local Regulations and Municipal Building Codes

Including local OH&S requirements. For continued safety of this appliance it must be installed and maintained in accordance with the manufacturer's instructions.

# INTRODUCTION

Congratulations on purchasing a genuine Scandia Electric Fireplace. When cared for properly, these high quality, finely crafted appliances will offer many years of reliable performance. This instruction manual has been developed to ensure optimum performance from your Scandia Electric Fireplace. It's very important that you thoroughly read and understand all instructions before using your new appliance.

## UNPACKING THE APPLIANCE

Carefully remove the appliance from the box and check all items are present and inspect for any physical damage to the appliance, accessories, power cord and plug. Prior to installing the appliance, test to make sure the appliance operates properly by plugging the power cord into a conveniently located and grounded GPO.

### Whats Included

- Remote Control
- Log and coal bed media
- Installation brackets (qty 4)
- Installation Manual

# IMPORTANT INSTRUCTIONS

When using electrical appliances the following precautions should always be followed to reduce the risk of fire, electric shock or injury to persons:

- 1 Read all instructions before using this appliance.

---

- 2 The appliance may be hot when in use. To avoid burning, do not touch hot surfaces. Keep combustible items, such as furniture, pillows, bedding, papers, clothes, and curtains at least 1m from the hot air outlet of the appliance.

---

- 3 Extreme caution is necessary when any appliance is used near children or infants.

---

- 4 If the supply cord is damaged, it must be replaced by the manufacturer, its service agent or similarly qualified persons in order to avoid a hazard.

---

- 5 Do not use the appliance for other than its intended use. For domestic indoor use only.

---

- 6 Do not use this heater in the immediate surroundings of a bath, a shower or a swimming pool.

---

- 7 If you need to disconnect the appliance, turn controls to off, then remove plug from outlet.

---

- 8 Do not inset or allow foreign objects to enter any inlet or outlet vents as this may damage the appliance.

---

- 9 To prevent damage to the appliance, do not block air inlets or the heating outlet.

---

- 10 Do not operate this appliance using a powerboard or extension leads.

---

- 11 Use this appliance only as describes in this manual. Any other use is not recommended by the manufacturer.

---

- 12 **WARNING:** In order to avoid overheating, do not cover the heater.

---

- 13 This appliance is not intended for use by persons (including children) with reduced physical, sensory or capabilities, or lack of experience and knowledge, unless they have been given supervision or instruction concerning use of the appliance by a person responsible for their safety. Children should be supervised to ensure that they do not play with the appliance

---

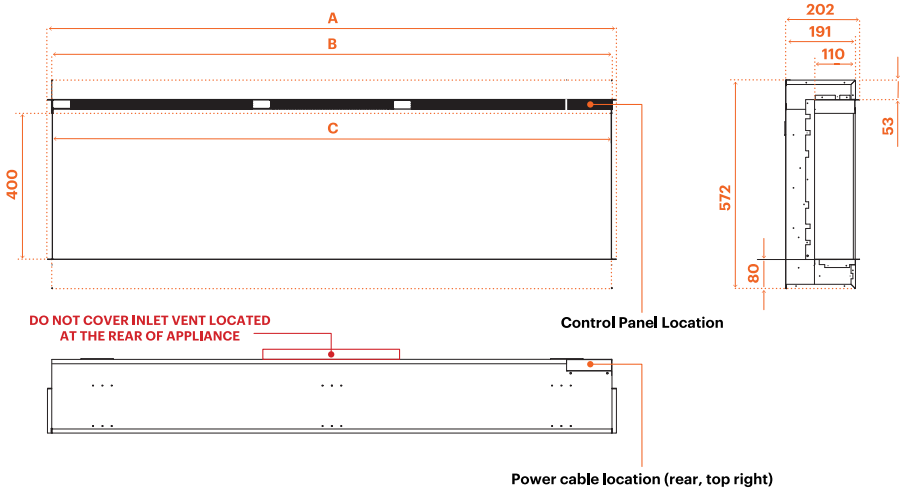
- 14 **CAUTION:** In order to avoid a hazard due to inadvertent resetting of the thermal cutout, this appliance must not be supplied through an external switching device, such as a timer, or connected to a circuit that is regularly switched on and off by the utility.

---

# SPECIFICATIONS

Model		Sirus 54"
Rated Power		1500W
Rated Voltage		230-240AV 50-60Hz
Appliance Dimensions	A	1399 mm
	B	1376 mm
	C	1372 mm
Unit Net Weight		39 KG
Installation Options		Recessed
Power cable length		1.7m
Power cable position		Right hand rear corner

# DIMENSIONS



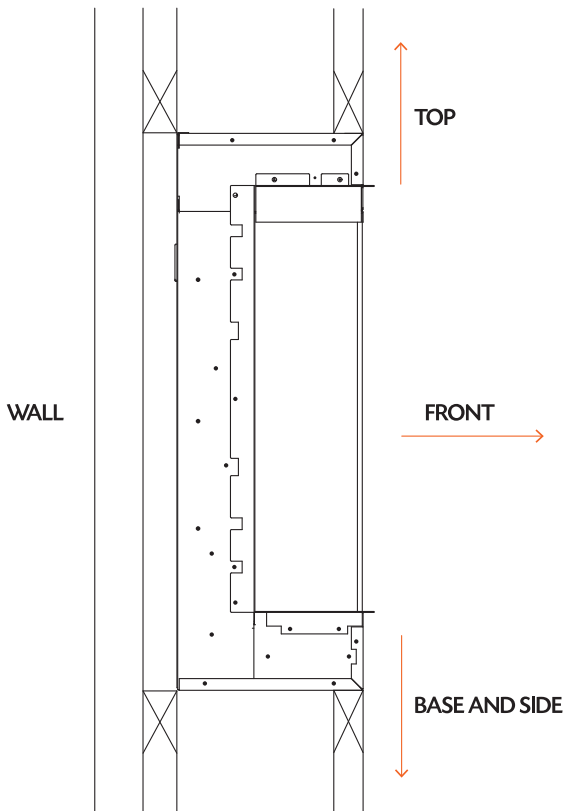
# LOCATING YOUR ELECTRIC FIREPLACE

The installation of your new electric fireplace is a straightforward process, allowing you the flexibility to place it within most places within your home. Ensure you adhere to the provided general instructions for selecting a suitable location. For optimal flame results, install the fireplace away from direct sunlight and close to the power supply GPO. The power cord of the appliance is located at the rear, top right

CLEARANCE TO COMBUSTIBLES			
Model	TOP	SIDES AND BASE	FRONT
Sirus 54"	200 mm	100 mm	1000 mm

**CAUTION: Do not cover vent located at the rear of appliance**

## CONSTRUCTION SIDE VIEW

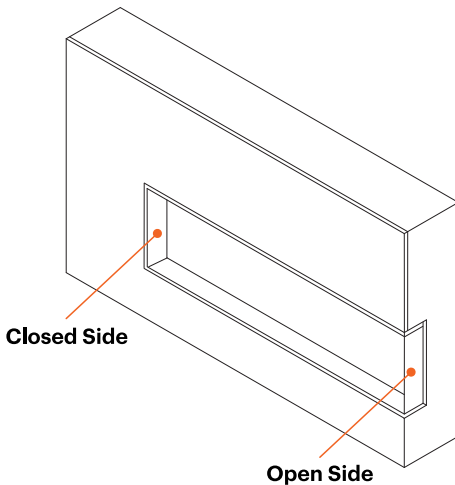
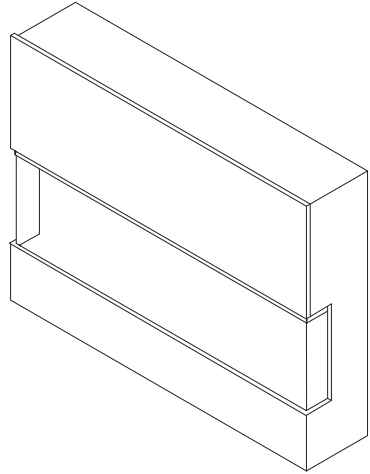


# INSTALLATION OVERVIEW

Your appliance is capable of three unique installation configurations: **three-sided**, **two-sided**, and **single-sided**.

## THREE-SIDED VIEWING INSTALLATION

- Appliance is fully recessed into the wall with both sides open
- Front, left, and right side views

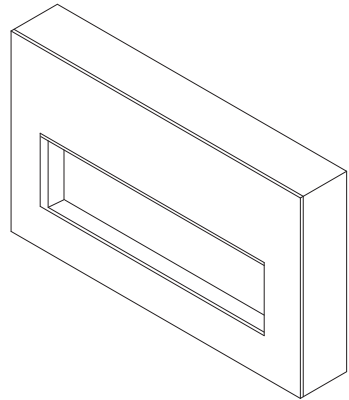


## TWO-SIDED VIEWING INSTALLATION

- Appliance is fully recessed into the wall with one side open
- Front view and left/right side view, depending on desired open/closed sides

## SINGLE-SIDED VIEWING INSTALLATION

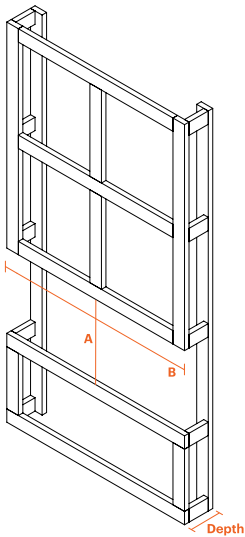
- Appliance is fully recessed into the wall
- Front view **only**
- Left and right side views are covered



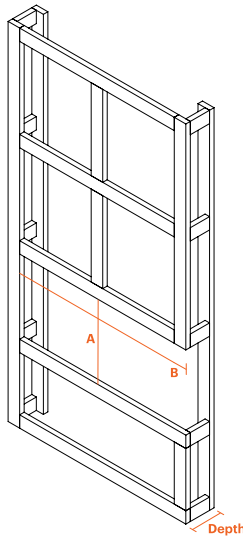
## TYPICAL FRAMING OPTIONS

FRAMING DIMENSIONS			
Model	A	B	DEPTH
Sirus 54"	575 mm	1385 mm	320 mm minimum

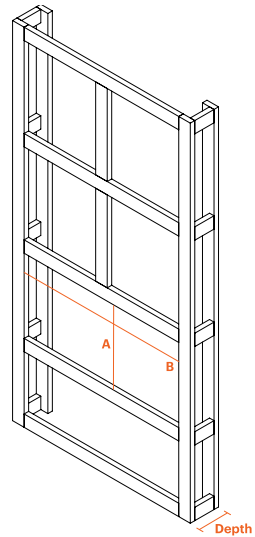
Note: Ensure that you leave adequate room to remove and replace the front screen or optional front. For cladding, standard plasterboard is suitable for installation.



**THREE-SIDED  
INSTALLATION**



**TWO-SIDED  
INSTALLATION**



**SINGLE-SIDED  
INSTALLATION**

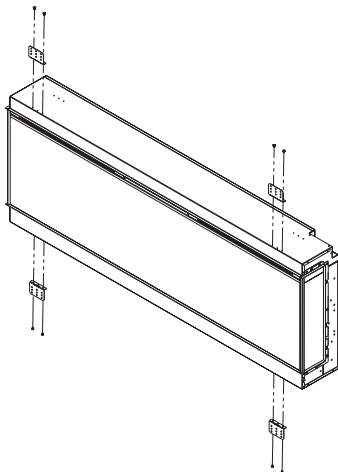
# INSTALLATION

## PREPARING THE APPLIANCE

1. For all install types connect the 4 metal brackets (supplied) using the 8 screws and washers (Fig. 3-1).

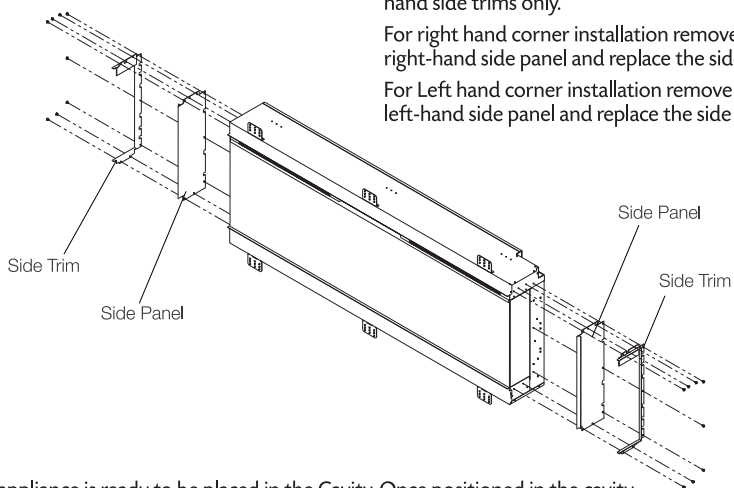
**NOTE:** It is recommended to lay the appliance on a stable surface before pre-installation.

Fig. 3.1



2. For either 2 or 3 sided installation remove the relevant side trims and panels, see Fig 3.2 below:

Fig. 3.2



For front installation remove the left and right hand side trims only.

For right hand corner installation remove the right-hand side panel and replace the side trim.

For Left hand corner installation remove the left-hand side panel and replace the side trim.

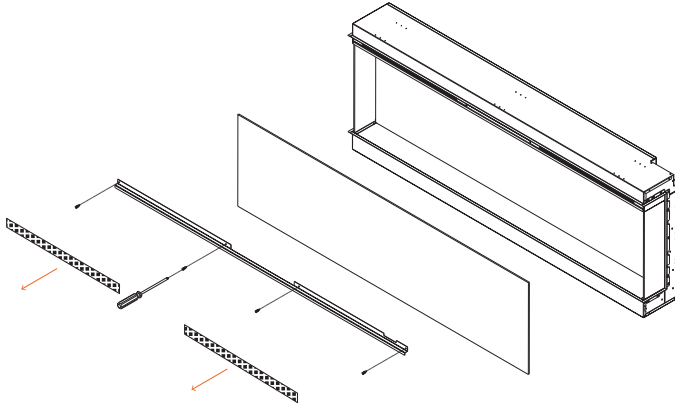
3. Your appliance is ready to be placed in the Cavity. Once positioned in the cavity, fix the 4 brackets to the cavity frame and plug the appliance into the GPO. The cavity is now ready for cladding.



## FRONT GLASS REMOVAL

**CAUTION:** When removing the 4 glass retention bracket screws you must also support the glass to ensure it doesn't fall out.

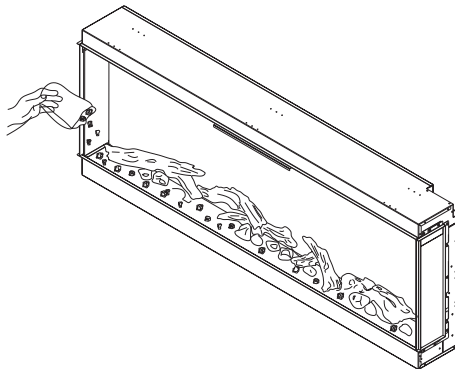
1. Remove the 2 recessed vent covers, these are held in place by magnets.
2. Remove the 4 screws holding the glass retention bracket while at the same time supporting the glass from falling out.
3. Place the glass aside on a flat smooth surface.



## LOG AND COAL BED MEDIA INSTALLATION

**NOTE:** The front glass must be removed and the appliance must be secured in its final location before the log and coal bed media are installed.

1. Complete steps 1-2 in the "Front Glass Removal" instructions.
2. Place the Log and coal bed media onto the ember bed.
3. Replace front glass and glass trim .



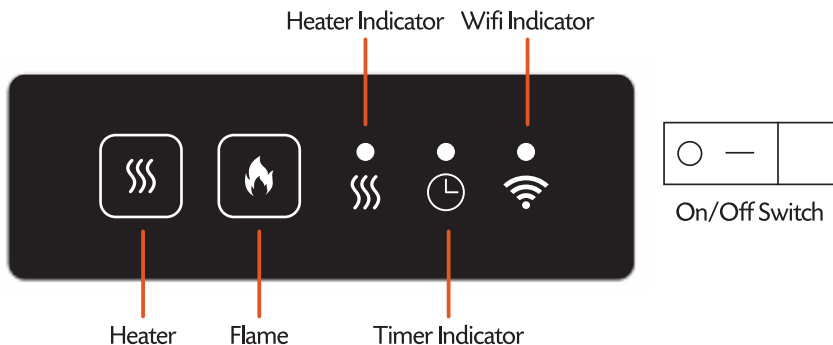
# OPERATING INSTRUCTIONS






## MAIN POWER SWITCH

Turn on the main power switch, the buzzer beeps once to indicate that the appliance is powering on, then the machine is in a standby state;










## APPLIANCE WITH CONTROL PANEL

The Control Panel is located top right of the appliance behind the removable vent cover:



FUNCTIONS	ICONS	DISPLAY	OPERATIONS DETAILS
Flame		N/A	Press button to adjust the color of the flame
Heater	 Press button to adjust heater and blower	 First Press	Turn on two group the heating system at 1500W high level
		 Second Press	Turn on one group the heating system at 750W low level
		 Third Press	Turn off all heating system and blower delay shutdown

# OPERATING WITH REMOTE CONTROL

BUTTON	MAIN FUNCTION	DESCRIPTION
	Main power	Power On/ Off
	Toggle on/off flame and coal bed lights	Press to turn on or off the flame and coal bed lights
	Toggle between Celsius and Fahrenheit	Press to change displayed temperature units between Celsius and Fahrenheit
	Adjust preset temperature	Press the arrow to adjust preset temperature °C Presets:16-19-21-23-25-27-30 °F Presets:61-66-70-73-77-80-86
	Adjust brightness of red, yellow, and blue flame	Cycle through 4 different brightness modes including Off. Adjust brightness of red,yellow, and blue flames.
	Coal Bed lighting	Cycle through 12 different colors and all colors auto circulation
	Heating Modes (High, Low and OFF)	Cycle through 3 heating modes including OFF
	Timer setting	Cycle through from 30min, 1h, 2h, 3h, 4h, 5h, 6h, 7h, 8h and 9hrs
	Adjust flame speed	Cycle through 3 different flame flicker speeds

## REMOTE CONTROL SPECIFICATION

Make sure your "AAA" batteries (x2) are fully charged and installed correctly in your remote control before operating.

The remote control must remain within 6 meters of the appliance to be effective, this range may be reduced when battery power is depleted.



# WIFI SMARTPHONE AND SMART HOME INSTRUCTIONS

Your Scandia Sirius Electric Fireplace can be connected and fully operated using a WiFi Smartphone App, it can also be connected to either a Google Home or Amazon Alexia device for simple on/off operation commands.

Please scan the following QR code for detailed instructions on how to connect your Sirius Fireplace using the WiFi Smartphone App, Google Home or Amazon Alexia:



# CARE AND MAINTENANCE



## PREPARATION FOR MAINTENANCE

ALWAYS DISCONNECT THE POWER AND ALLOW THE ELECTRIC APPLIANCE TO COOL BEFORE PERFORMING ANY CLEANING, MAINTENANCE OR RELOCATION OF THIS ELECTRIC APPLIANCE. TURN CONTROLS TO OFF AND REMOVE PLUG FROM OUTLET OR TURN OFF THE HOUSE CIRCUIT BREAKER TO ELECTRIC APPLIANCE RECEPTACLE.

## CLEANING

NEVER immerse or spray with water. Doing so could result in electric shock, fire, or personal injury.

### **METAL:**

Wipe using a soft cloth, slightly dampened with a citrus oil based product.

DO NOT use brass polish or household cleaners as these products will damage the metal trim.

### **GLASS:**

Use a good quality glass cleaner sprayed onto a cloth or towel, clean the glass then dry thoroughly with paper towel or a lint-free cloth.

NEVER use abrasive cleaners directly on the glass surface.

### **VENTS:**

Use a vacuum or duster to remove dust or debris from the vent inlet and outlet areas.

### **PLASTIC:**

Wipe gently with a slightly damp cloth and a mild solution of soap and warm water.

NEVER use abrasive cleansers directly on the plastic surface.

# WARRANTY

## 2 YEAR LIMITED WARRANTY

This limited warranty (Warranty) is given by Scandia Heating (Aust) Pty Ltd (ACN 005 868 093) (Scandia or we) to the original retail purchaser (You) of the Electric Fireplace to which this Warranty applies.

Our goods come with guarantees that cannot be excluded under the Australian Consumer Law. You are entitled to a replacement or refund for a major failure and for compensation for any other reasonably foreseeable loss or damage. You are also entitled to have the goods repaired or replaced if the goods fail to be of acceptable quality and the failure does not amount to a major failure.

The benefits that this Warranty provides are in addition to other rights and remedies available to you under the Australian Consumer Law. This Warranty does not limit those rights and remedies.

**IMPORTANT:** For this Warranty to apply, you must fully complete the online warranty registration form within 30 days after the original purchase. By completing this, you also agree that, to the extent permitted by law, our liability to You on any basis in relation to the Electric Fireplace (other than under the Australian Consumer Law) is limited to our obligations under this Warranty.

## SCOPE OF WARRANTY

If:

- a defect in material or workmanship appears in the following parts within the corresponding warranty period after the date of the original purchase, such as to make the Electric Fireplace unfit for normal home use and;
- you comply with the requirements below regarding making a claim, then, subject to the exclusions below, we will (or will arrange to) replace or repair the relevant part or (at our option) replace the entire Electric Fireplace with the same or comparable model.

## EXCLUSIONS

This Warranty does not apply:

- if the Electric Fireplace is not installed or operated to the specifications detailed in this manual;
- where the defect is not due to the original design or manufacture of the part (including where the appliance or part has been subject to accident, abuse, alteration, misuse or neglect or has been installed, altered, inspected, operated, cleaned or maintained negligently or not in accordance with applicable local laws, regulations and standards and the instructions and requirement included in this manual);
- if you are not a retail purchaser, or in the case of non domestic use (e.g. any commercial venue);
- to any accessories or optional parts;
- to noise caused by minor expansion, contraction or movement of parts;
- to any initial smell due to dust, paint or surfaces curing;

## WARRANTY ....continued

- to changes in surface finishes as a result of ordinary use (including interior and exterior colour changes or fingerprint marks) or any discolouration of glass;
- to any surface rust which may occur in transit, storage or use;
- to any defect caused, or likely to have been caused, by an unsuitable environment, including but not limited to:
  - Close proximity to beaches;
  - atmospheres containing chlorine or fluorine.

### HOW TO MAKE A CLAIM

**Any claim under this Warranty must be in writing to our mail or email address below. It must be sent within the applicable warranty period and must include:**

- the model number of the Electric Fireplace;
- A copy of the receipt detailing the place, price and date of purchase; and
- reasonable details of the defect.

### REGISTER YOUR PRODUCT



#### REGISTER ONLINE

Register your product warranty online by visiting:  
[www.scandiastoves.com.au/warranty](http://www.scandiastoves.com.au/warranty)

Your data will be used by Scandia to provide you with information about your purchase upon request.

---

**Head Office**  
58 Access Way,  
Carrum Downs VIC 3201  
Australia

**Scandia Heating (Aust) Pty Ltd**  
(03) 8579 5900  
[service@scandiastoves.com.au](mailto:service@scandiastoves.com.au)  
[www.scandiastoves.com.au](http://www.scandiastoves.com.au)

